

# GREENER STEEL. NOW.

Visit us at [tmsinternational.com/Services/EPS](http://tmsinternational.com/Services/EPS)



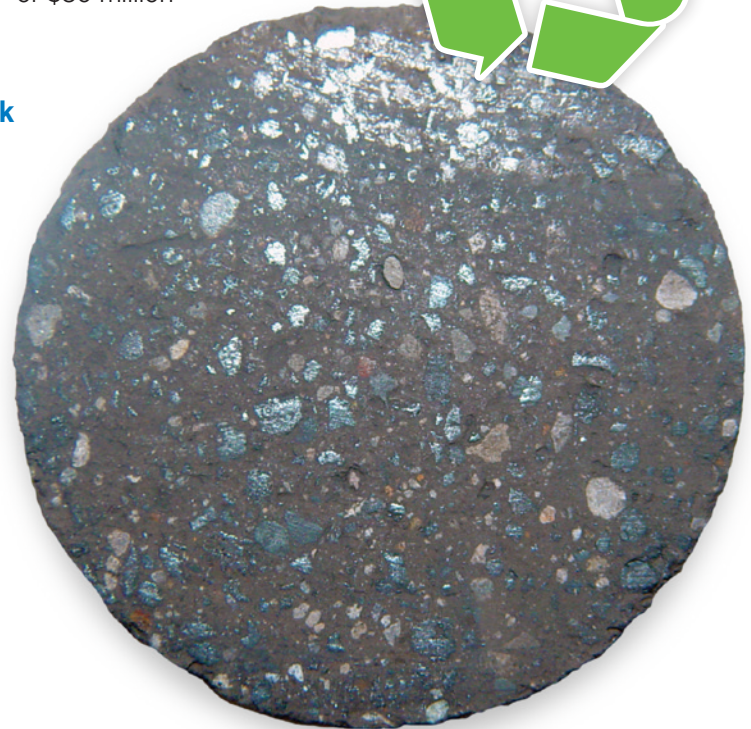
## ▶ A dependable on-site source of high-quality, engineered feedstock

EPS is a turnkey mill service. We manage your co-products, converting them into engineered feedstock for your melt recipe. A mill producing 2 million tons annually can cut its operating costs by \$8 million a year— or \$80 million over the course of a ten-year service contract.

### Reduce your carbon footprint with zero capital risk

EPS delivers scalable tonnage of engineered feedstock, without tying up capital. TMS provides engineering, procurement and construction of the EPS plant, while owning and managing the operation. Keeping part of your feedstock production onsite closes the loop on co-products and cuts material and landfill costs.

Looking for a sustainable reduction of your carbon footprint? EPS delivers greener steel now, to help your mill address changing regulatory requirements and industry commitments.

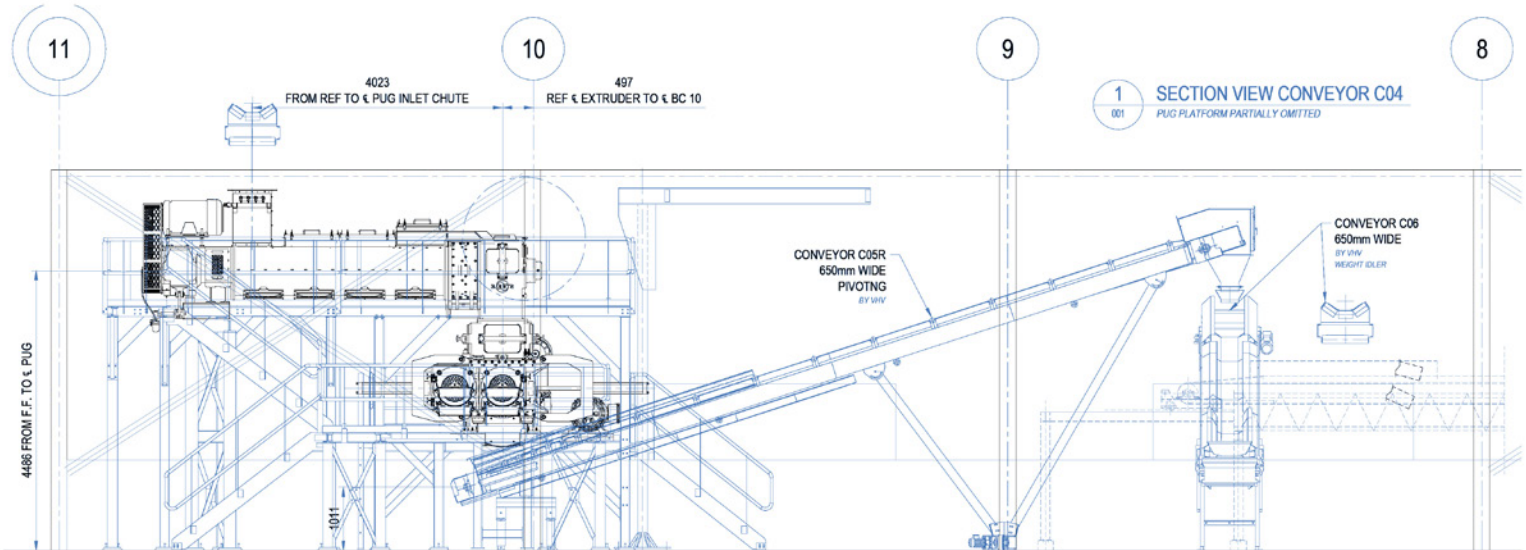


*(Not actual size — image magnified)*



*Let TMS calculate your cost savings.  
Zero capital risk — from feedstock trials through production.*





We can engineer an EPS line inside an existing structure and around installed equipment. You provide the footprint and all necessary utilities – electricity, gas, compressed air and water, plus dust collection systems and ductwork, if necessary. We take care of everything else in the operation and maintenance of the production plant.



**EPS commissions all equipment and creates safety and maintenance training programs.**

**TMS International  
Extruded Product Services**

2601 S. Verity Parkway  
Middletown, OH 45044  
(844) 227-9532  
tmsinternational.com

**For greener steel now, contact us at  
1.844.227.9532 or [EPS@tmsinternational.com](mailto:EPS@tmsinternational.com),  
or visit [tmsinternational.com/Services/EPS](http://tmsinternational.com/Services/EPS).**